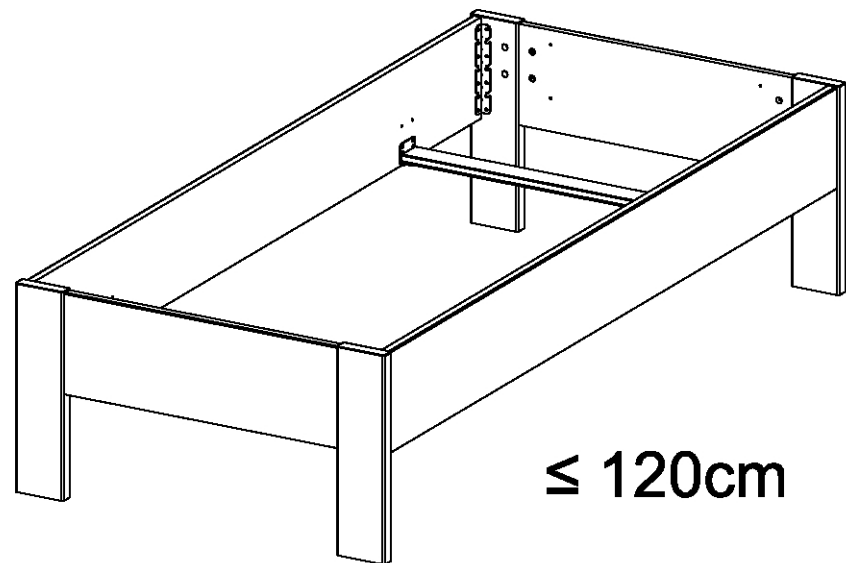
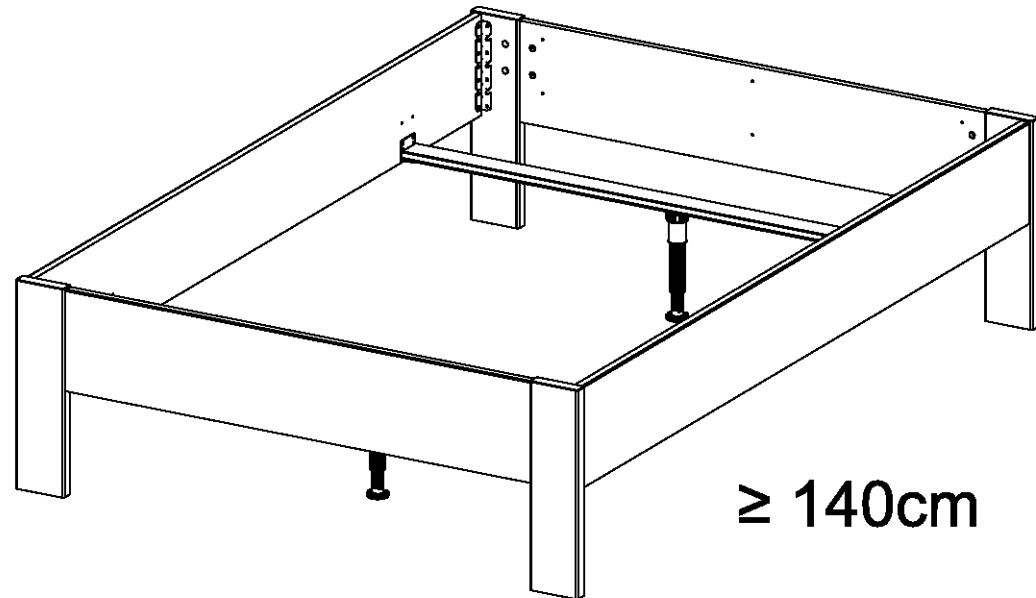
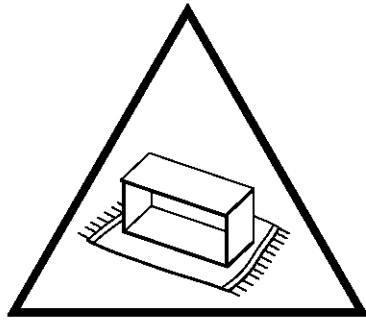
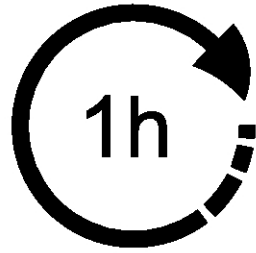
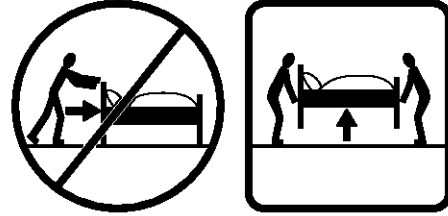
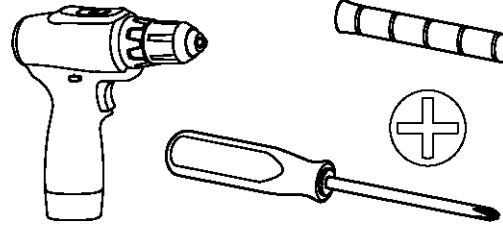


M2513\_01

rauch



11		20x	6,3x18	8x	
16x	173	8x	6,3x14	28x	4,5x16
4x	456	8x	212x25x25	6x	4x20
8x	1021	8x	8x55	4x	698
2x	1118	2x		2x	1119
4x	1120				
			X mm		X mm
			X mm		X mm

↔ ≥ 140cm ↔

ST010

RK010

ST020

BS010

QU010

QU010

BS010

ST010

RK010

ST020

ST030

FT010

ST040

BS010

QU010



ST010 = ST040

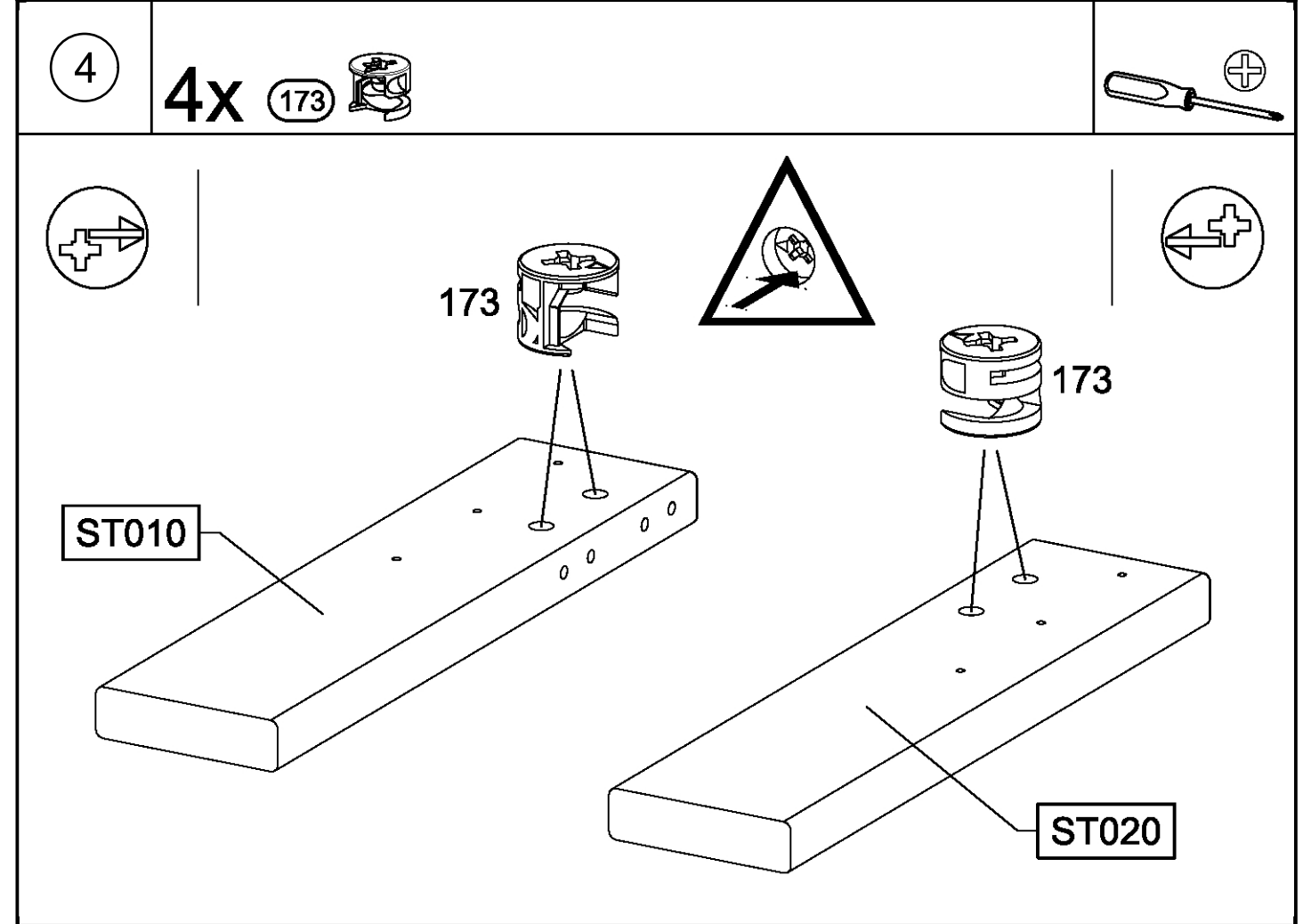
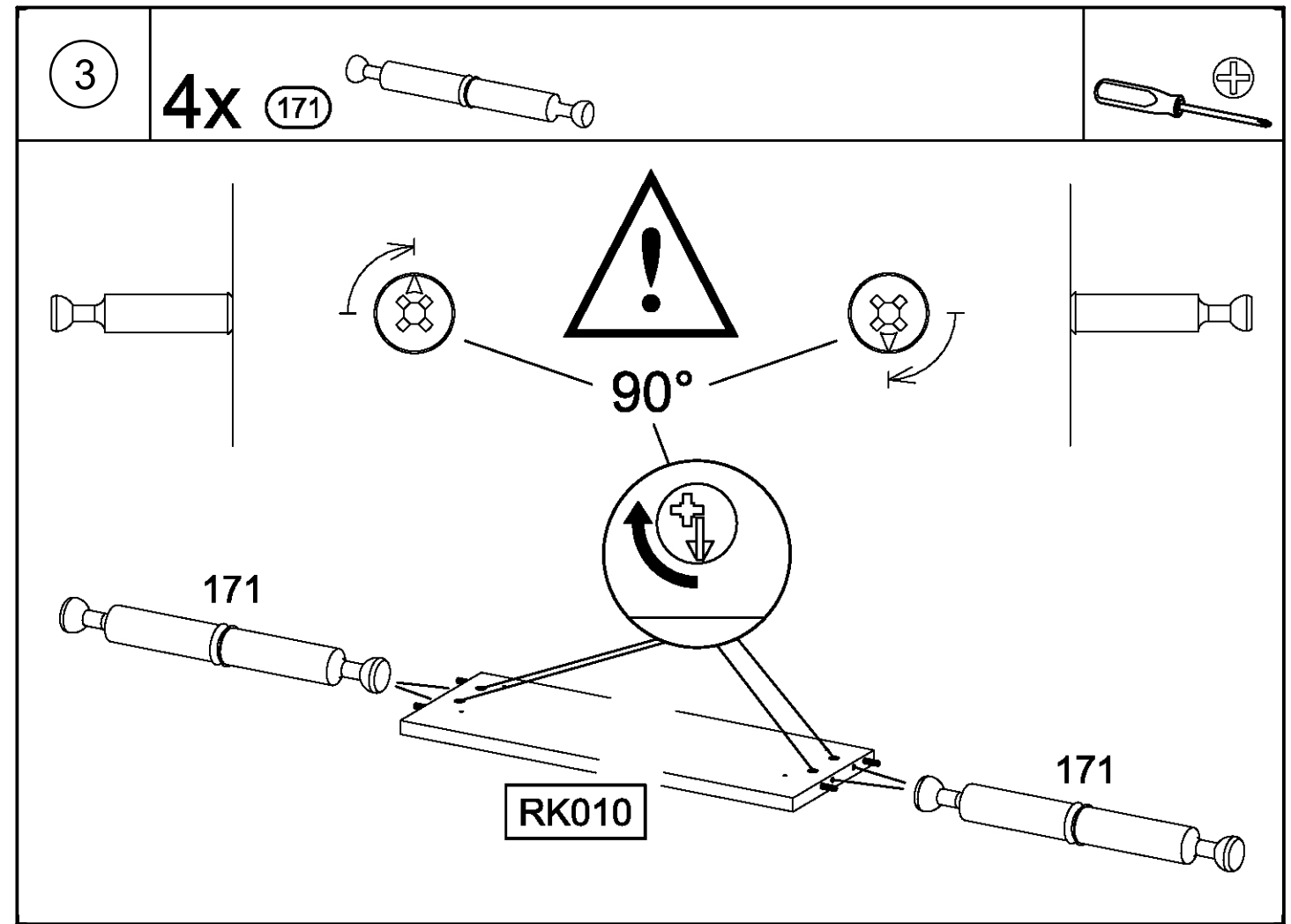
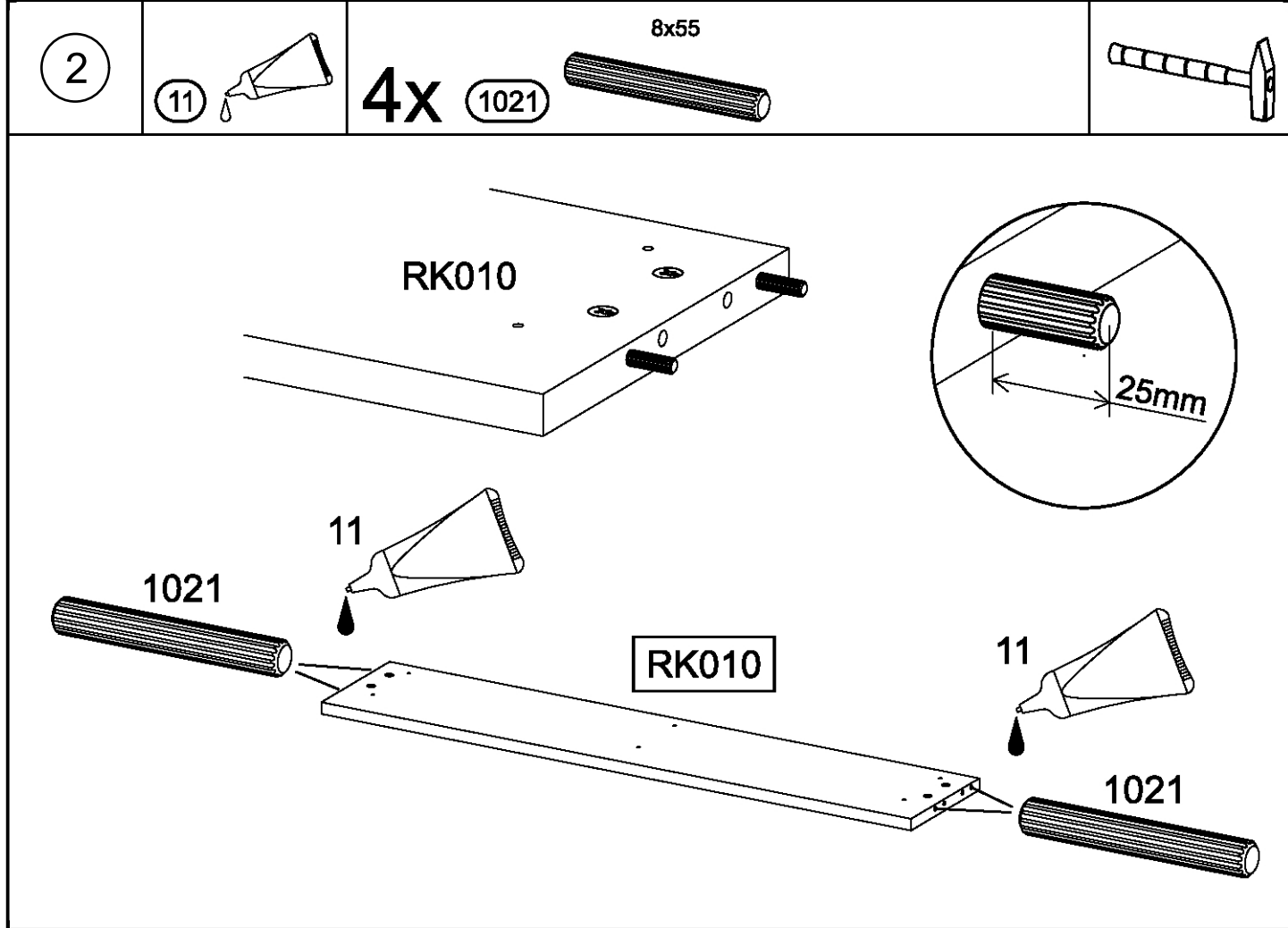
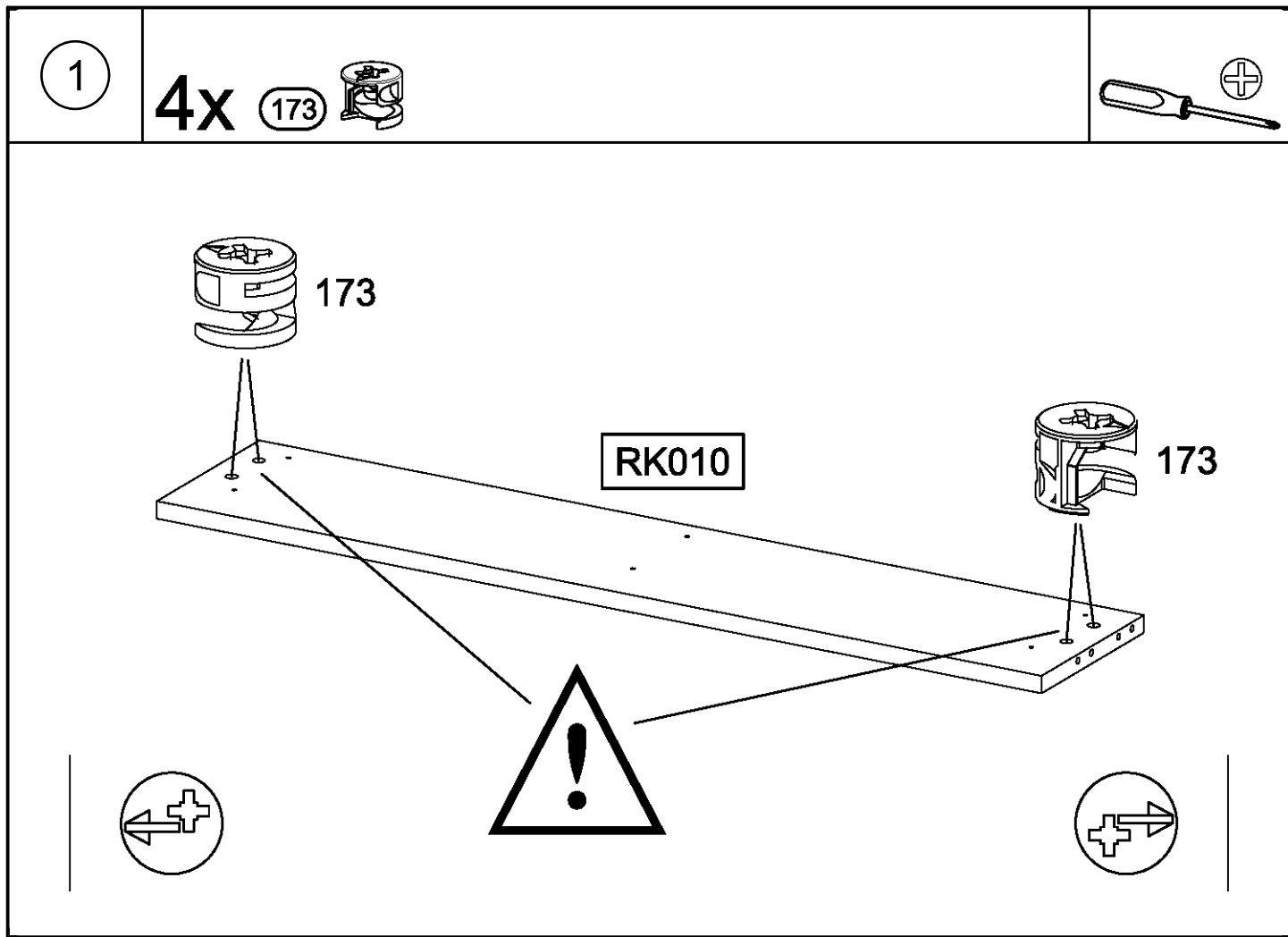
ST020 = ST030

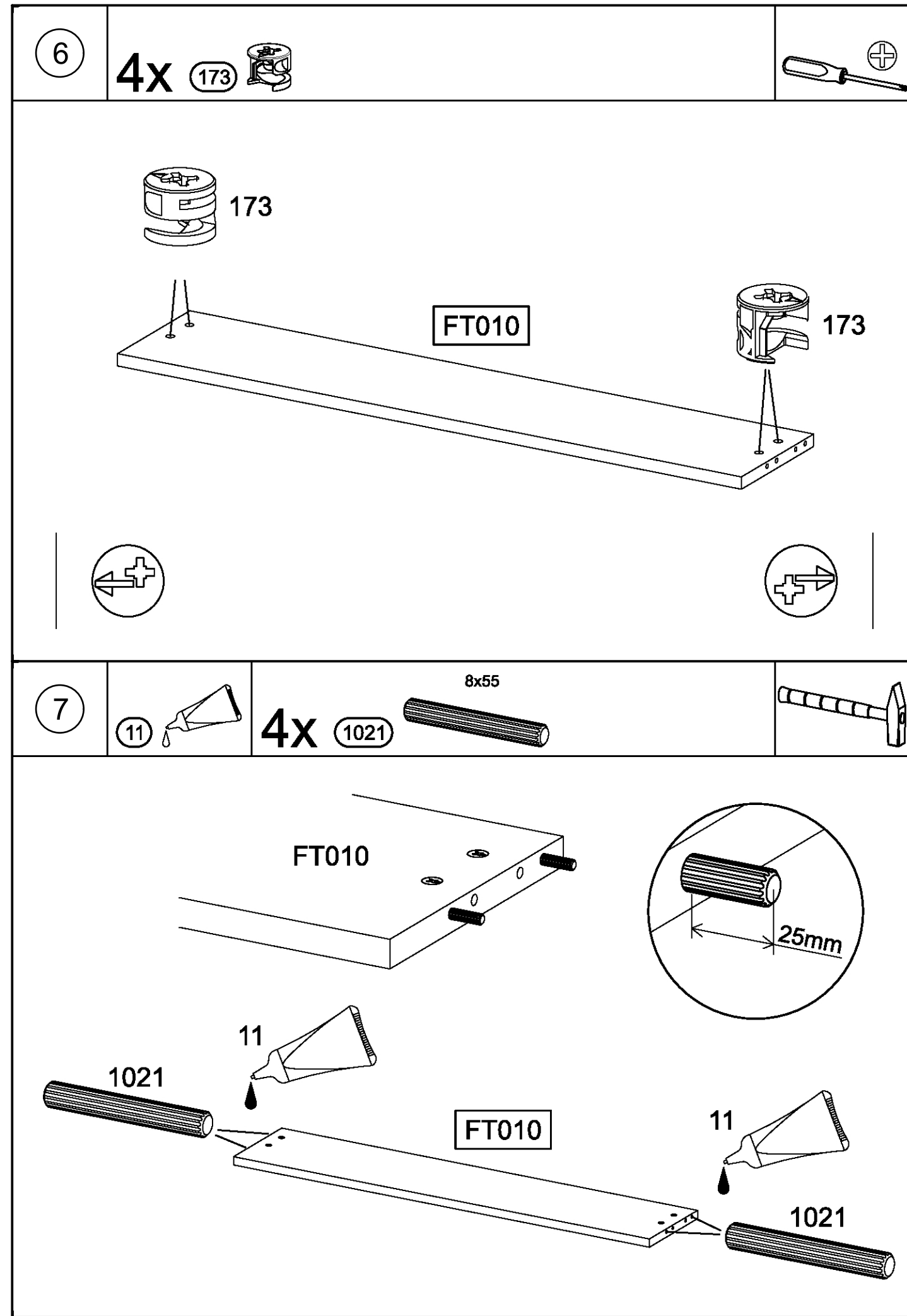
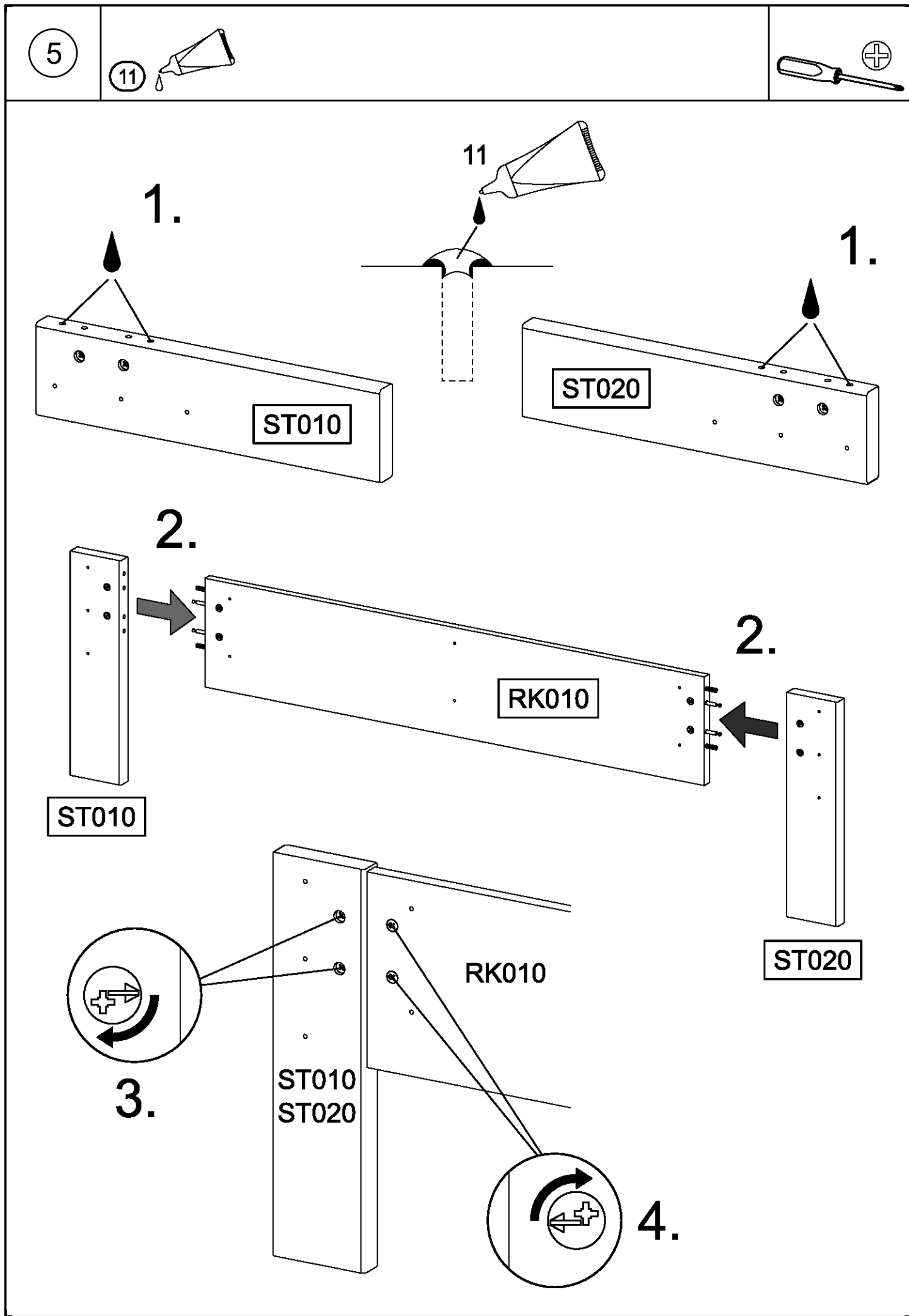
ST030

FT010

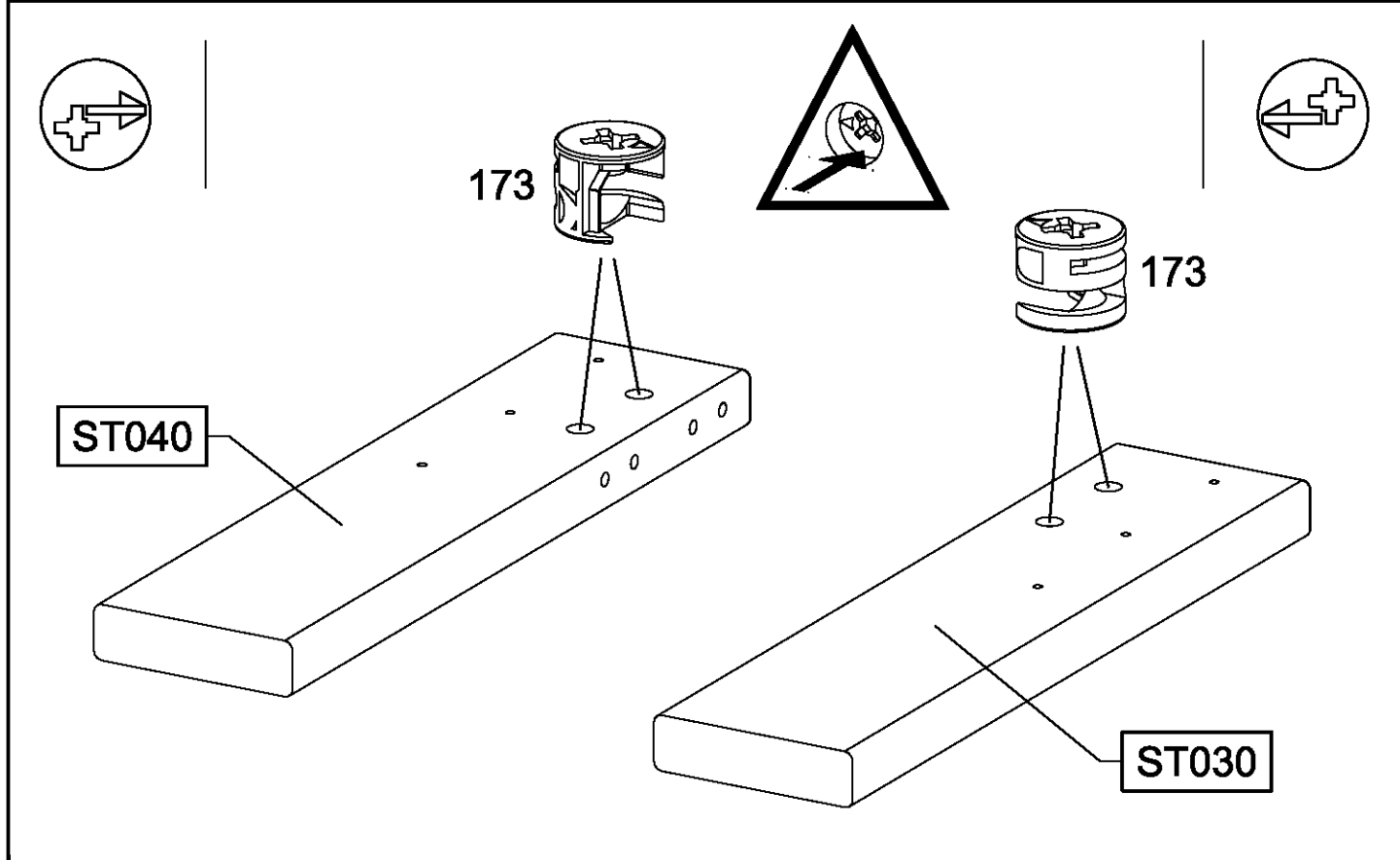
ST040

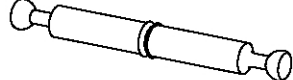

↔ ≤ 120cm ↔

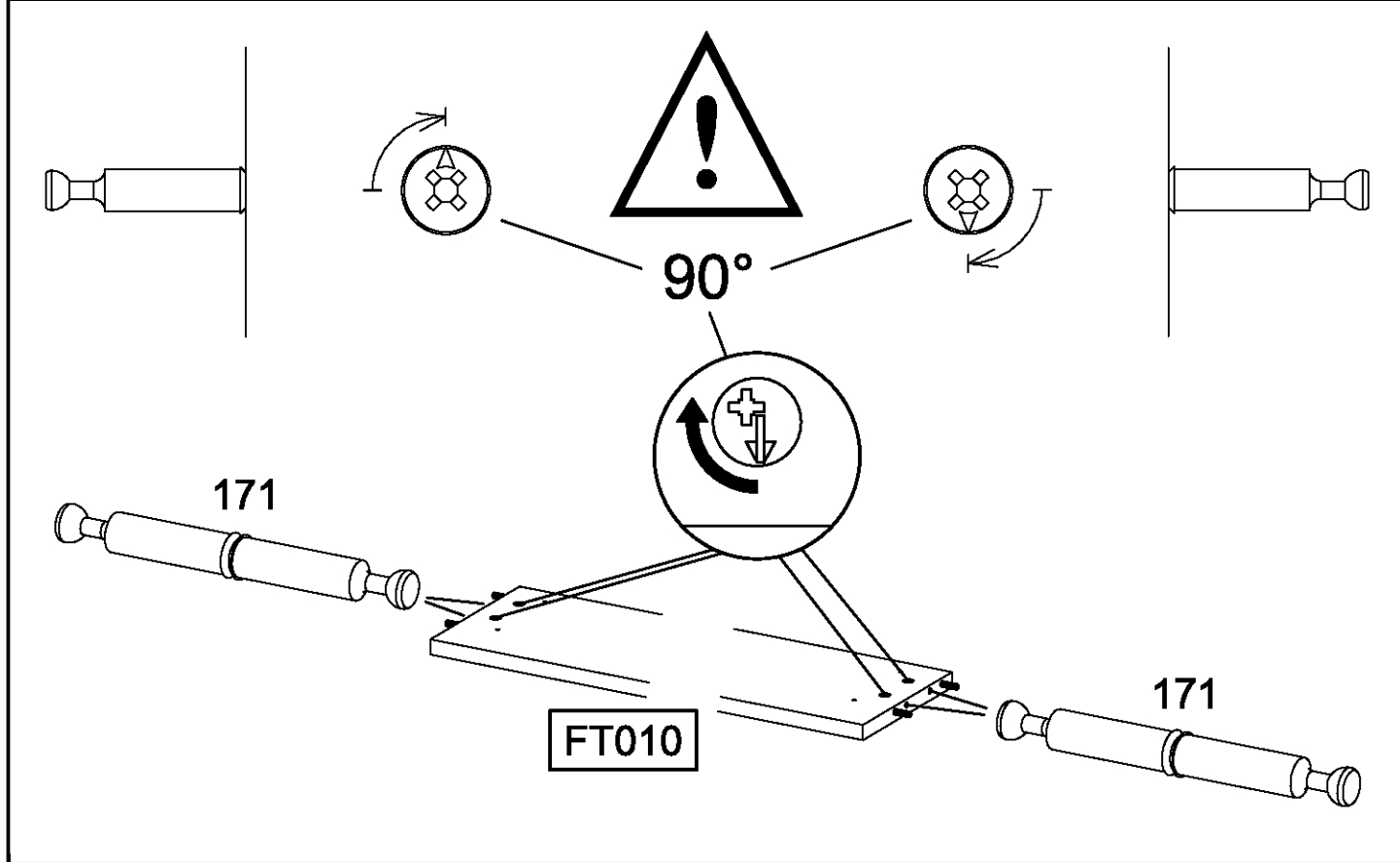




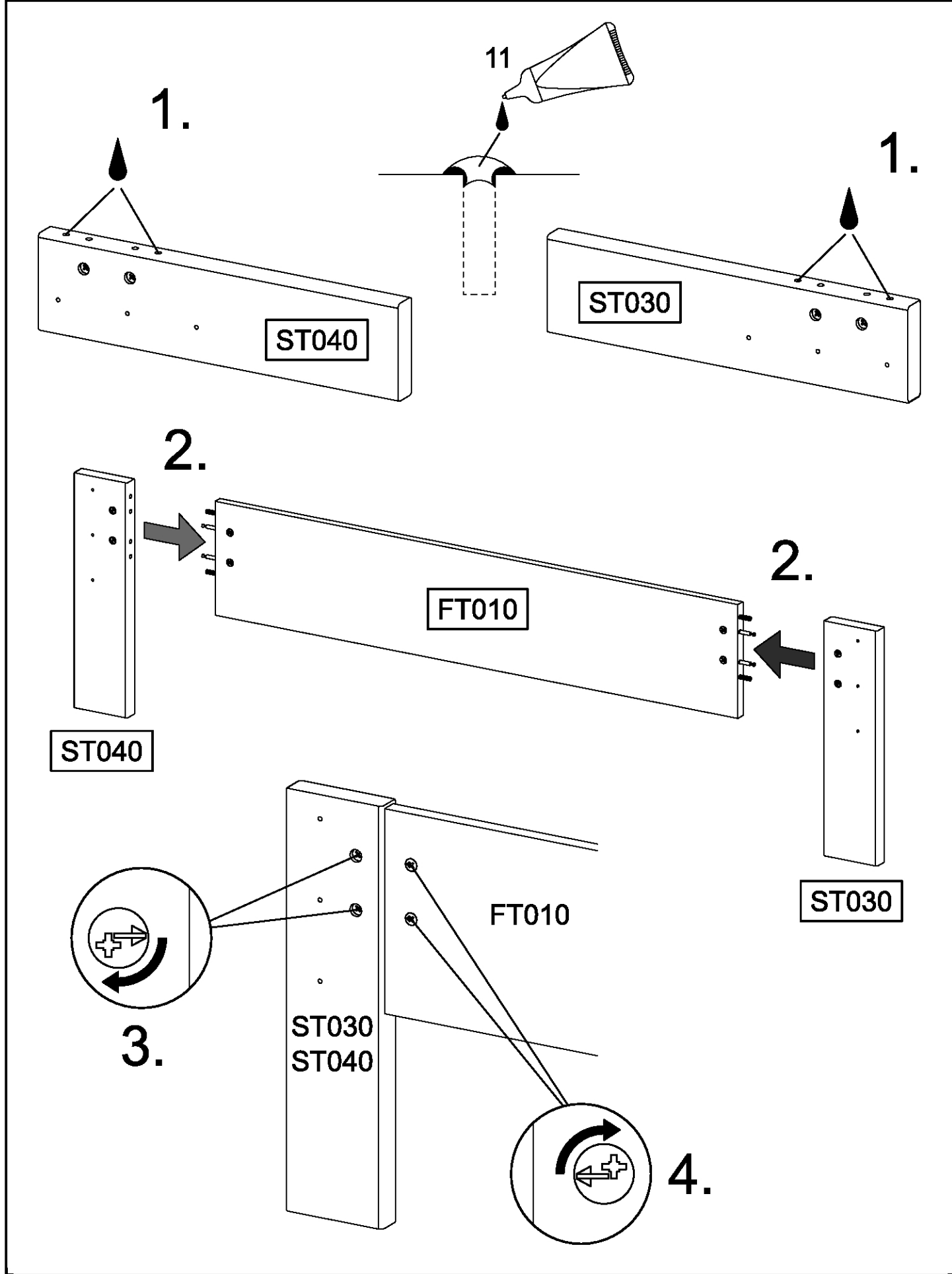
9 **4x** (173)  



8 **4x** (171)  



10 (11)  



11

12x

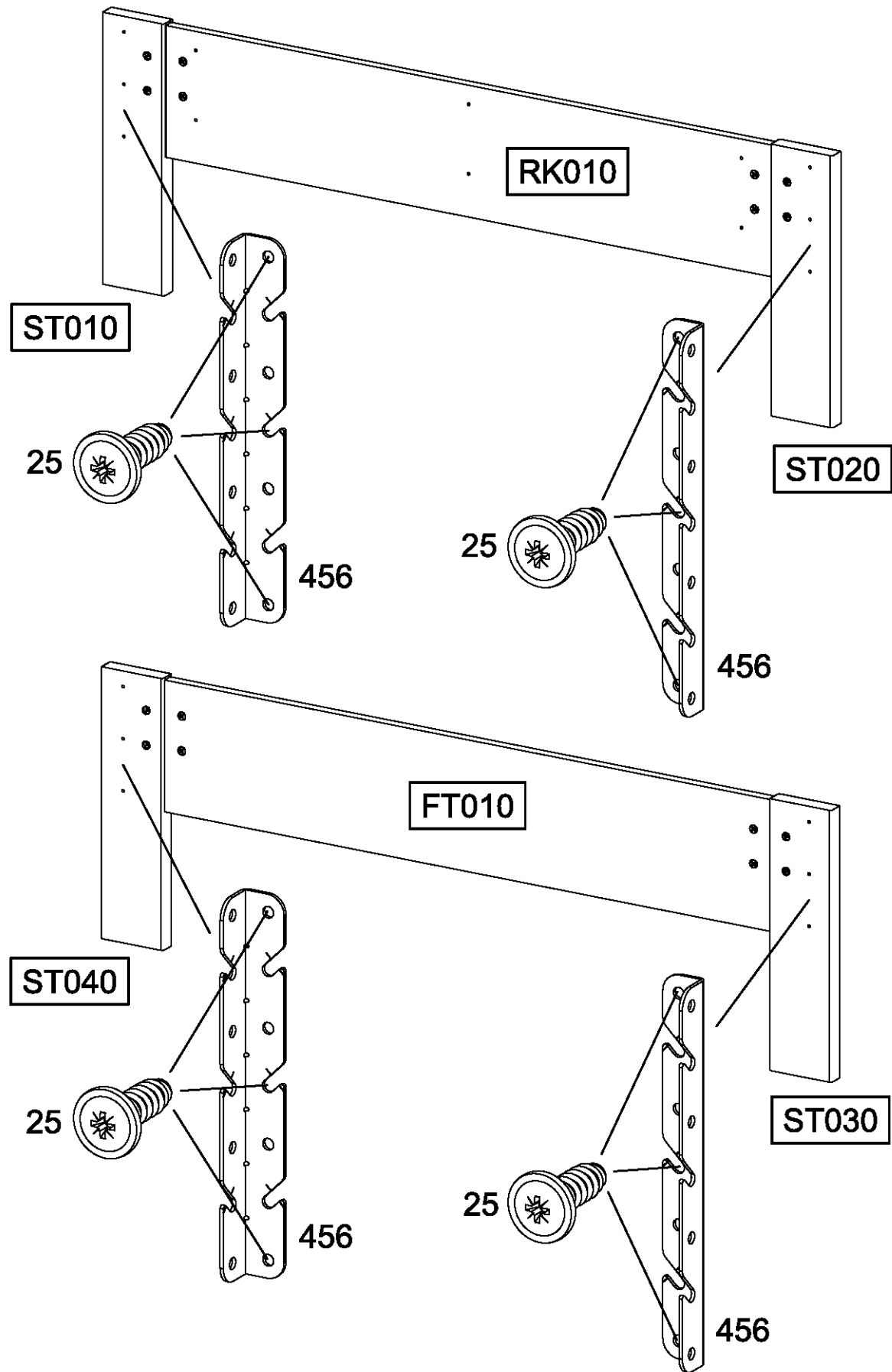
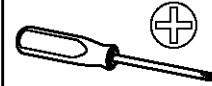
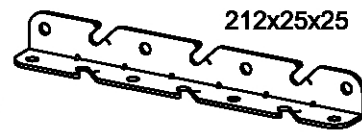
25

6,3x18



4x

456

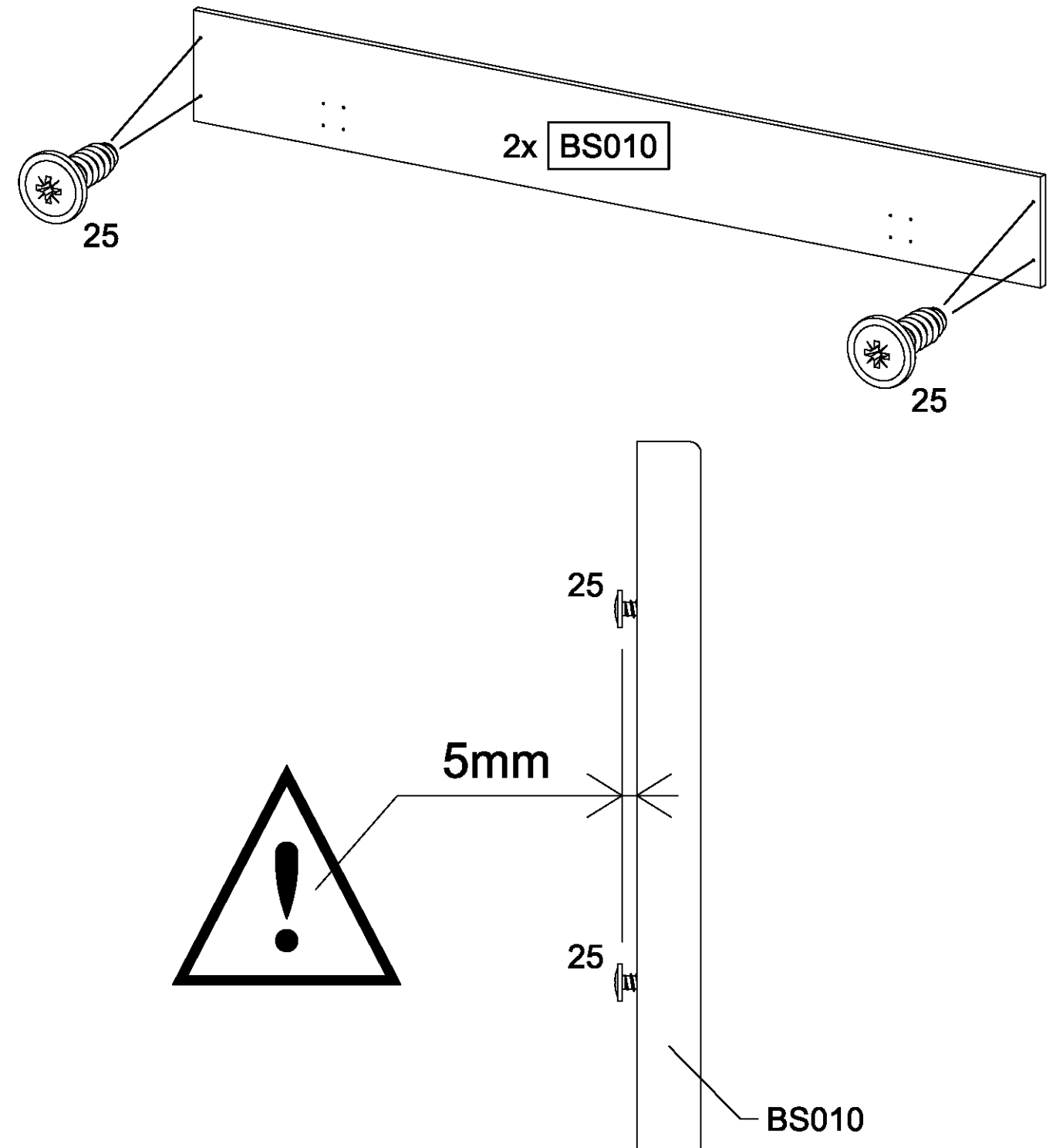
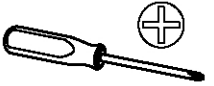


12

8x

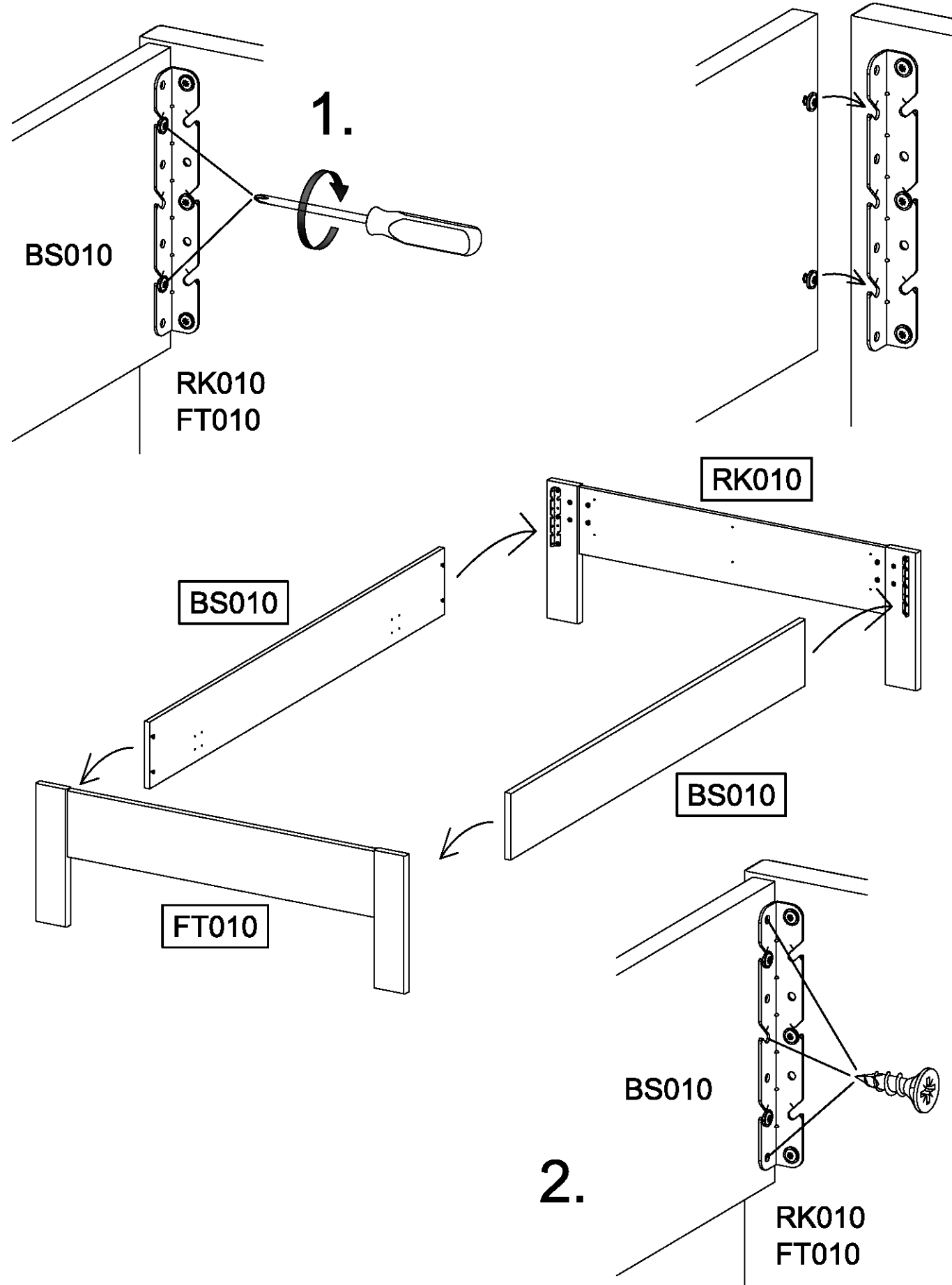
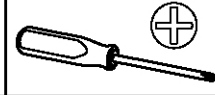
25

6,3x18



13

12x 202 4,5x16

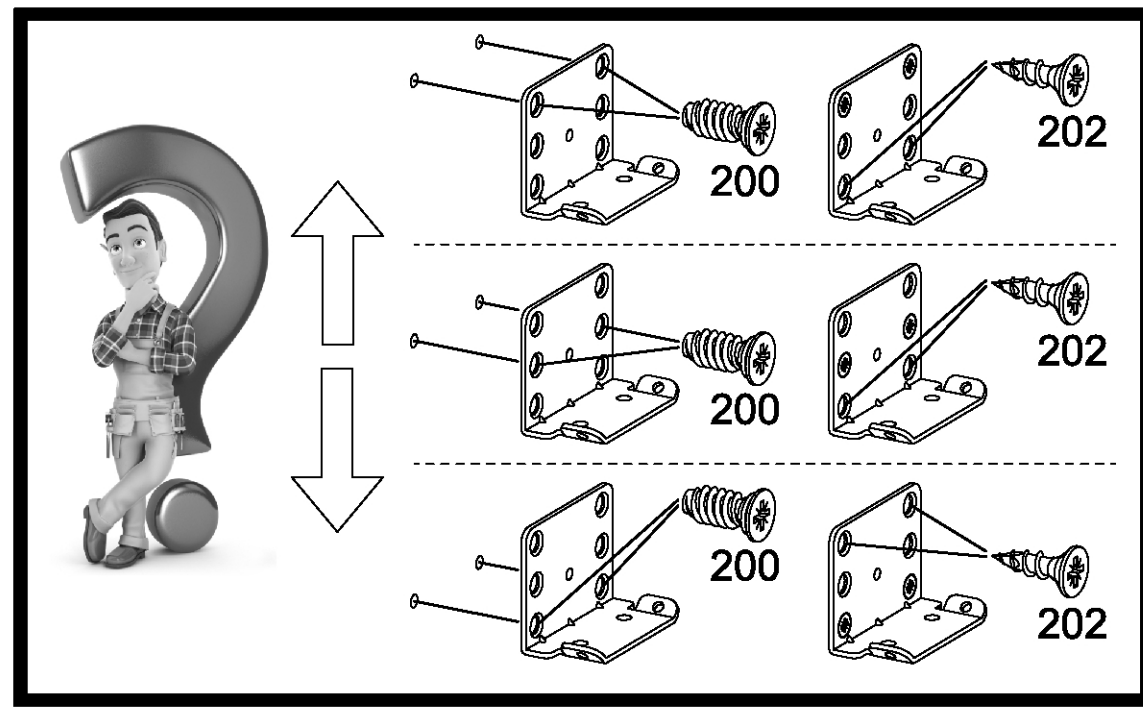
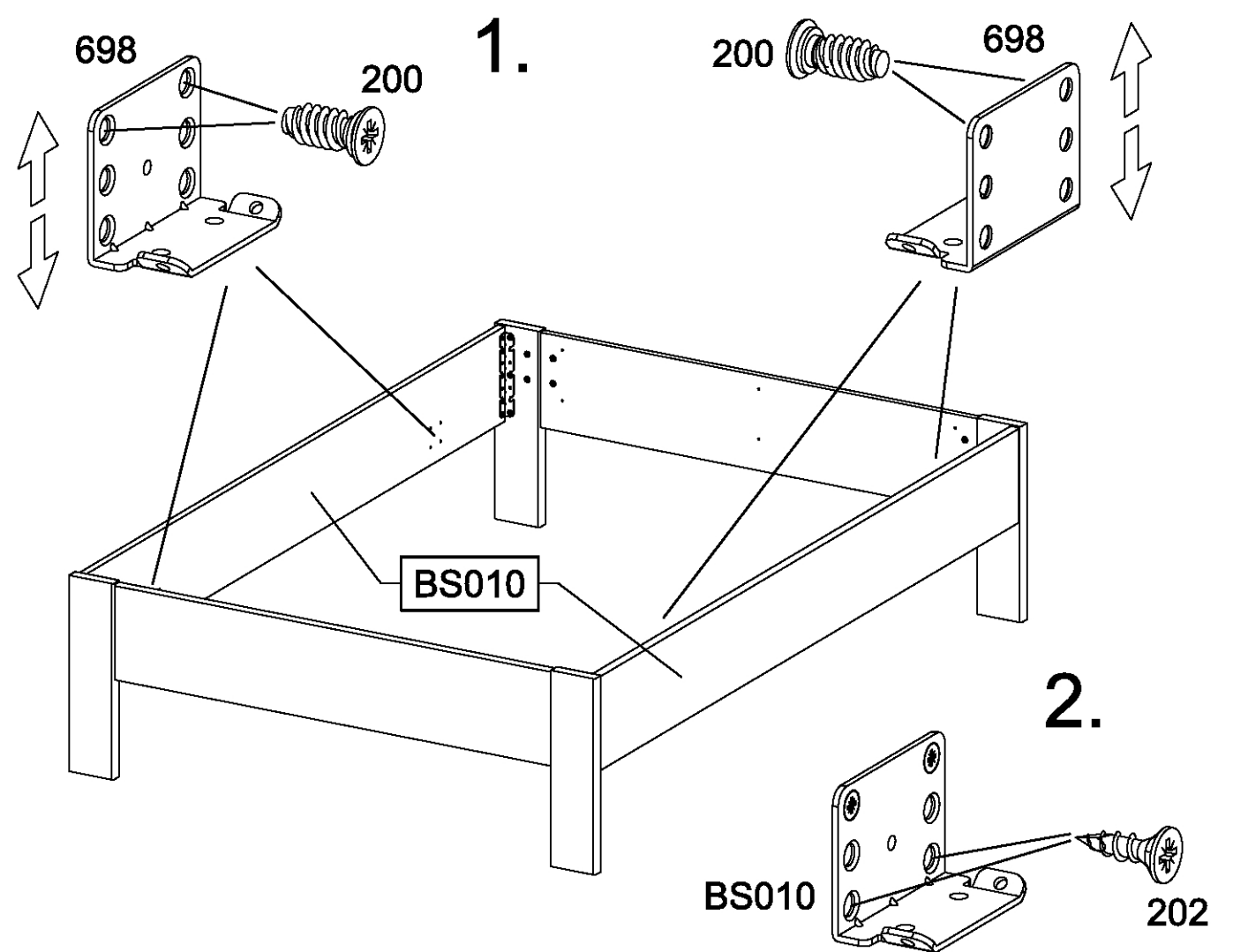
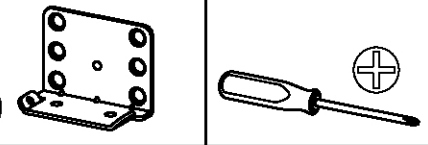


14

8x 200 6,3x14

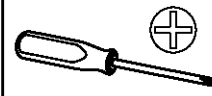
8x 202 4,5x16

4x 698

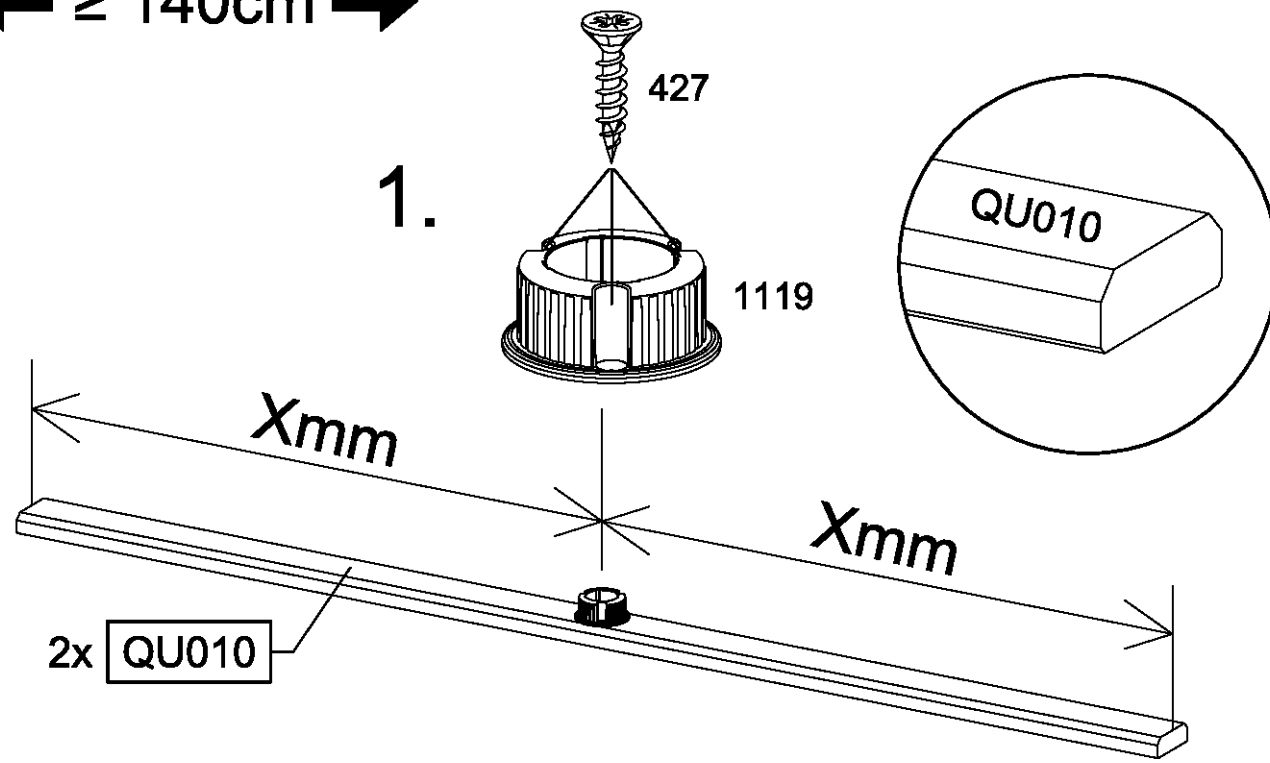


15

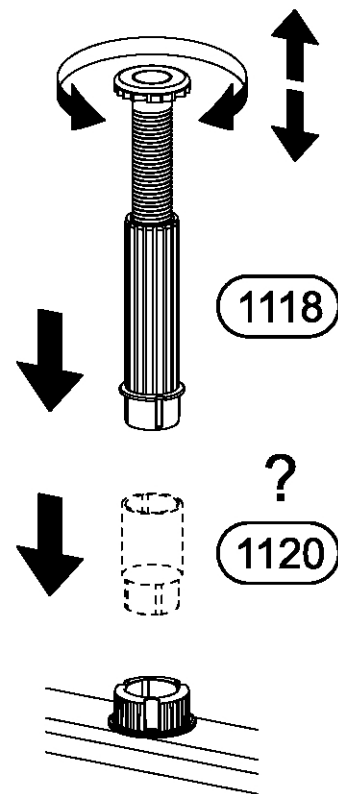
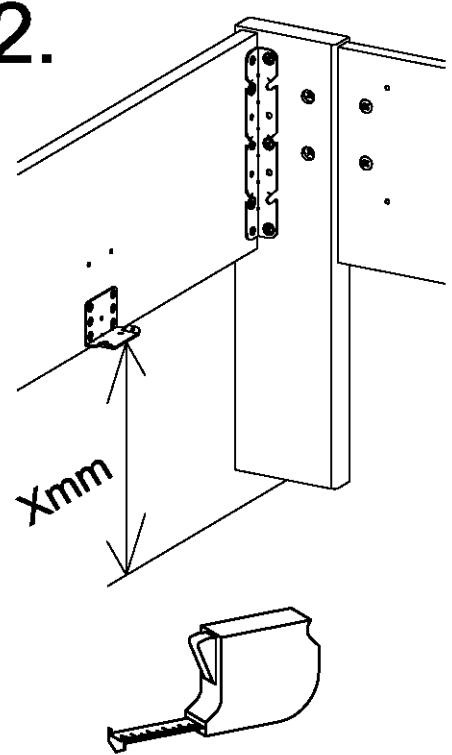
6x 427 4x20



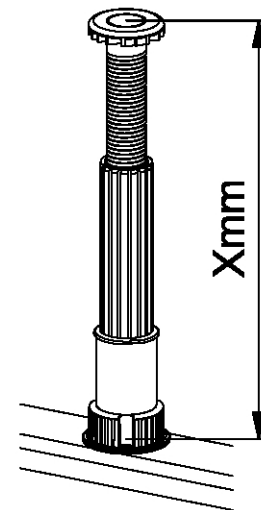
← ≥ 140cm →



2.

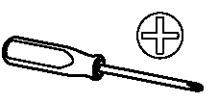


3.

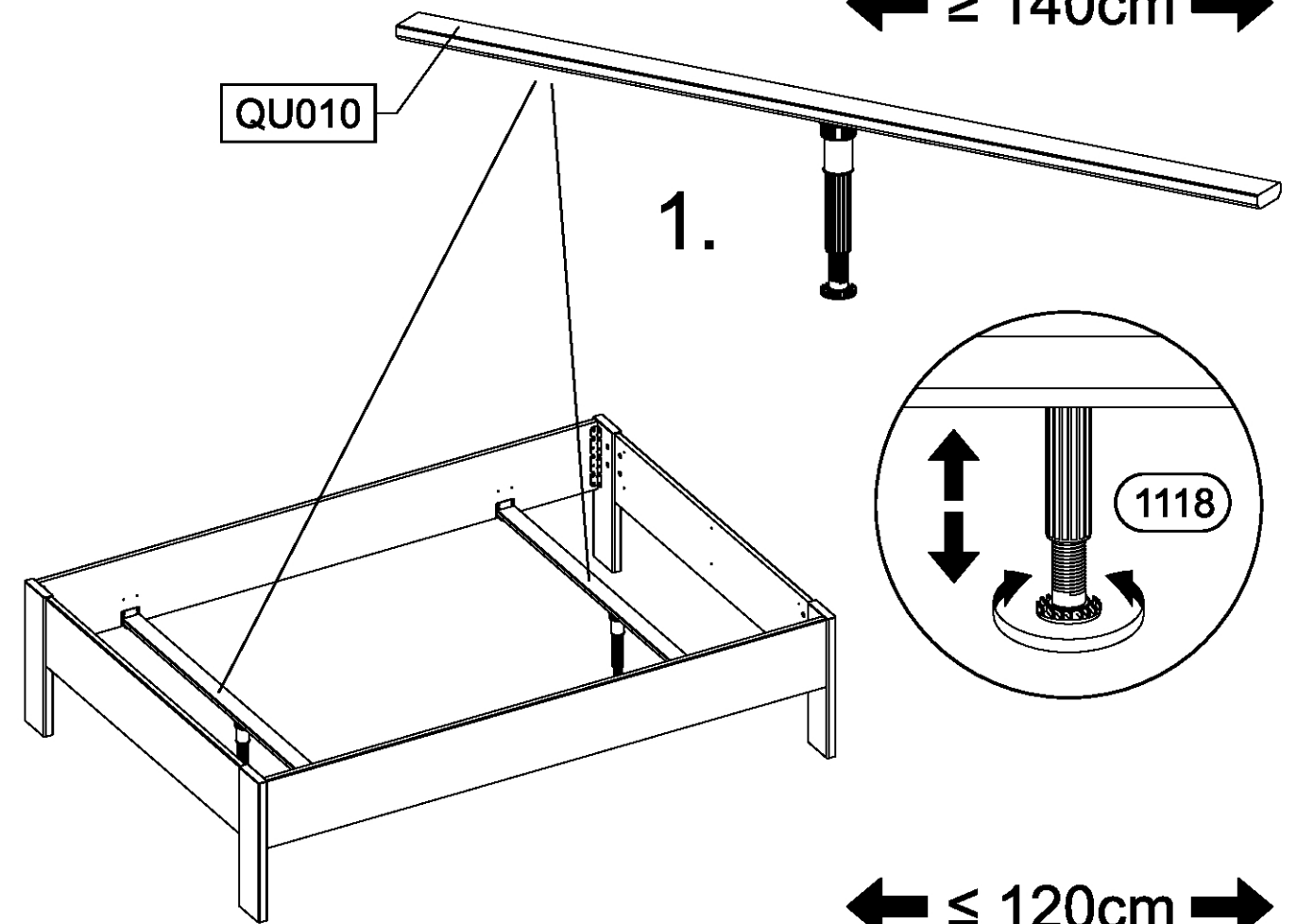


16

8x 202 4,5x16



← ≥ 140cm →



← ≤ 120cm →

